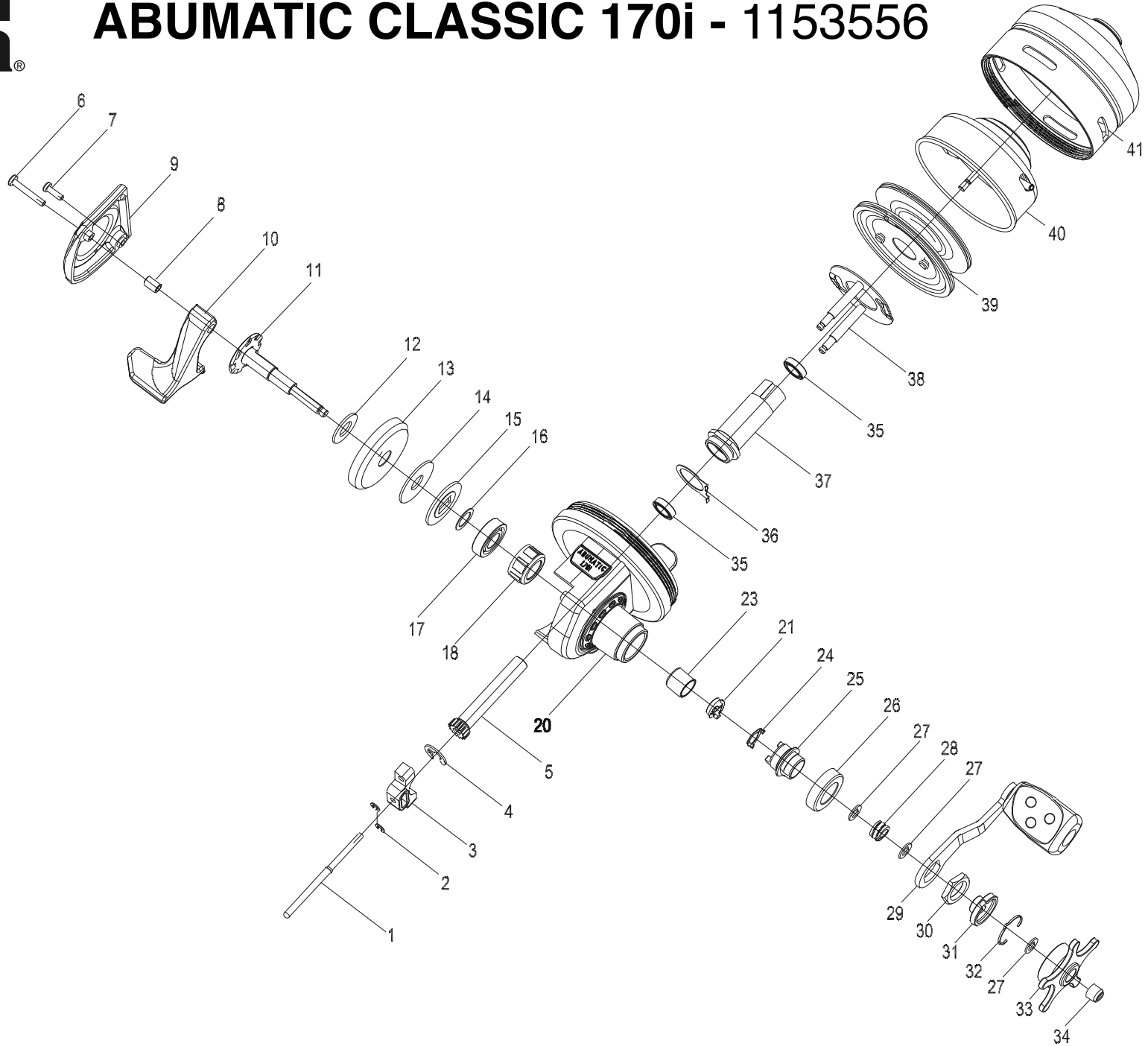




ABUMATIC CLASSIC 170i - 1153556



ABUMATIC CLASSIC 170i - 1153556

NO	PARTS NAME	SAP
1	MAIN SHAFT	1143727
2	SLIDE CLIP	1143728
3	SLIDE	1143729
4	PINION CLIP	1143730
5	PINION	1143731
6	SIDE COVER LONG SCREW	1143732
7	SIDE COVER SCREW	1143733
8	THUMB BUTTON SLEEVE	1143734
9	SIDE COVER	1143735
10	THUMB BUTTON	1143736
11	GEAR SLEEVE (STAIN STEEL)	1143737
12	GEAR SLEEVE WASHER(TEFLON)	1143738
13	MAIN GEAR	1143739
14	TEFLON WASHER	1143740
15	DRAG WASHER	1143741
16	MAIN GEAR WASHER	1143742
17	MAIN GEAR BALL BEARING	1143743
18	ONE WAY CLUTCH	1143744
20	BODY	1143746
21	SYNCRO CAM	1143747
23	CLUTCH BB SLEEVE	1143749
24	SYNCRO CAM PLATE	1143750
25	HANDLE CONNECT SEAT	1143751
26	HANLDE NUT	1143752
27	METAL DRAG WASHER	1143753
28	DRAG SPRING	1143754
29	HANDLE ASSY	1143755
30	HANDLE NUT	1143756
31	CLICK SPRING SUPPORT	1143757
32	CLICK SPRING	1143758
33	STAR DRAG	1143759
34	DRAG CEASE NUT	1143760
35	PINION BUSHING	1101767
36	LOCK WASHER	1143761
37	BODY SLEEVE(BRASS)	1143762
38	SPOOL LOCKED BOARD	1143763
39	SPOOL ASSY	1143764
40	ROTOR ASSY(PLATED TIN.)	1143765
41	CONE ASSY	1143766