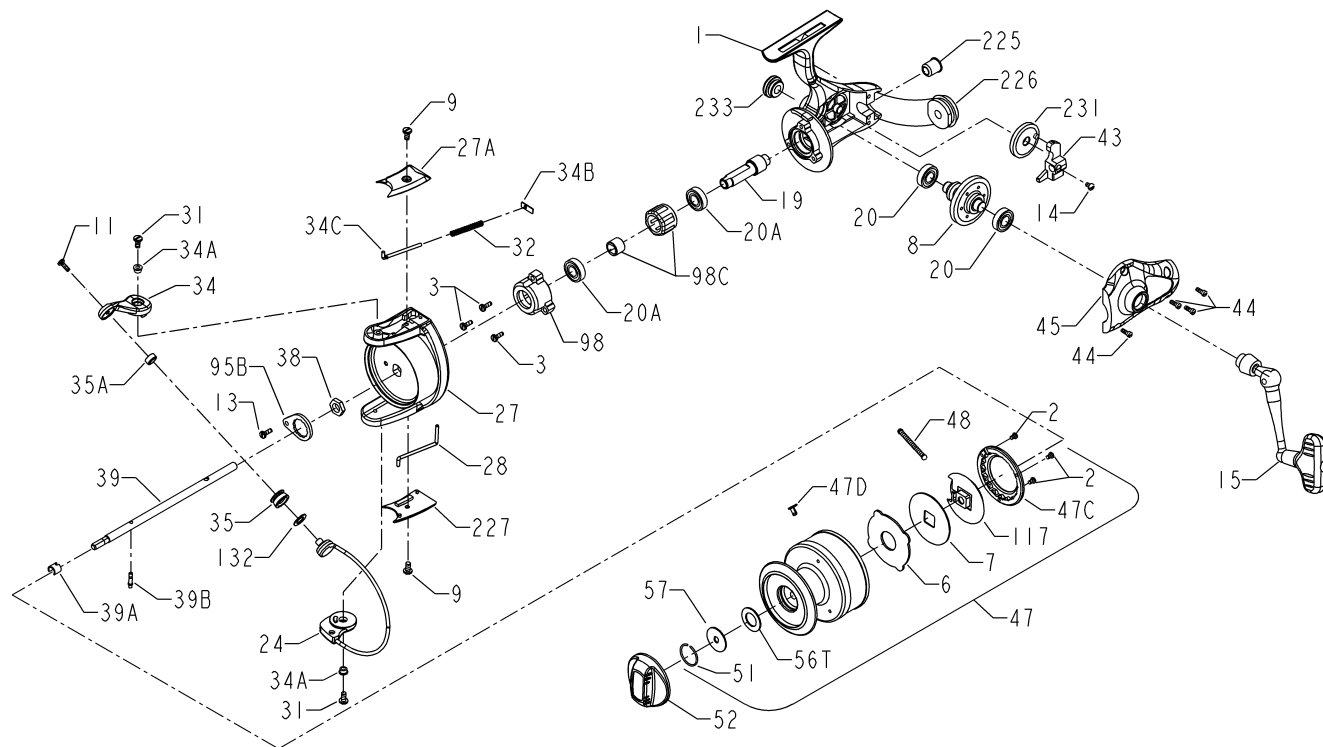




# PARTS LIST FOR MODELS 460 AND 560



KEY NO.	DESCRIPTION	PART NO.
1	Housing Asm (w/ emblem)	001 460
	Housing Asm (w/ emblem)	001 560
2	Screw (3 req.)	044 5600
3	Screw (3 req.)	044 710
6	Main Drag Washer HT-100	006 5600
7	Main Keyed Drag Washer	007 5600
8	Main Gear Asm	008 5600

KEY NO.	DESCRIPTION	PART NO.
9	Screw (2 req.)	022 750
11	Screw	036 5600
13	Screw	063A2.5FR
14	Screw	044 560
15	Handle Assembly (460)	015 460
	Handle Assembly (560)	015 560
19	Pinion	019 5600
20	Ball Bearing (2 req.)	020 722
20A	Ball Bearing (2 req.)	020 6500
24	Bail Wire Assembly (460)	024 4600
	Bail Wire Assembly (560)	024 5600
27	Rotor Cup (460)	027 4600
	Rotor Cup (560)	027 5600
27A	Bail Pivot Cover	027A5600
28	Trip Lever	028 5600
31	Screw (2 req.)	036 750
32	Bail Spring	032 5600
34	Bail Arm	034 5600
34A	Rotor Bushing (2 req.)	034A5600
34B	Pivot Plate	034B5600
34C	Pivot Arm	034C5600
35	Line Roller	035 5600
35A	Ball Bearing	035A706
38	Rotor Nut	038 5600
39	Spool Shaft Assembly	039 560
39A	Locating Pin Clip	039A5600
39B	Locating Pin	039B5600
43	Crosswind Block	043N560
44	Screw (4 req.)	039 004CH
45	Housing Cover Asm (w/ emblem)	045 460
	Housing Cover Asm (w/ emblem)	045 560
47	Spool Assembly	047 460
	Spool Assembly	047 560
47C	Drag Cover	047C5600
47D	Line Clip	047D5600
48	Click Tongue	048 5600
51	Retaining Ring	051 650
52	Drag Knob Assembly	052 560
56T	Drag Washer (Teflon)	056T650
57	Drag Washer (Keyed)	057 5600
95B	Rotor Locking Plate	095B070
98	Clutch Retainer	098 5600
98C	Clutch/Sleeve Assembly	098C5600
117	Drive Plate	117 5600
132	Line Roller Washer	132 5600
225	Rear Bushing	225 560
226	Rear Cap	226 560
227	Bail Trip Cover	227 5600
231	Crosswind Gear	231N 5600
233	Bearing Cover Asm (w/ emblem)	233 560