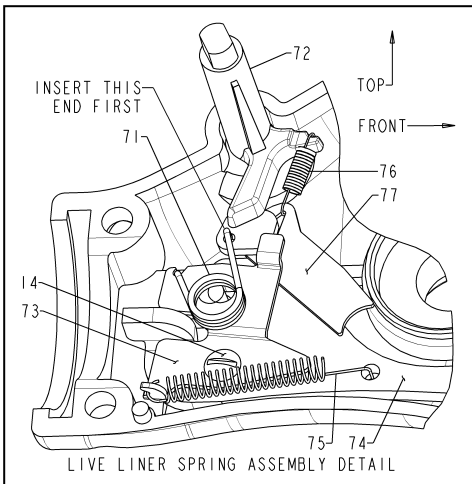
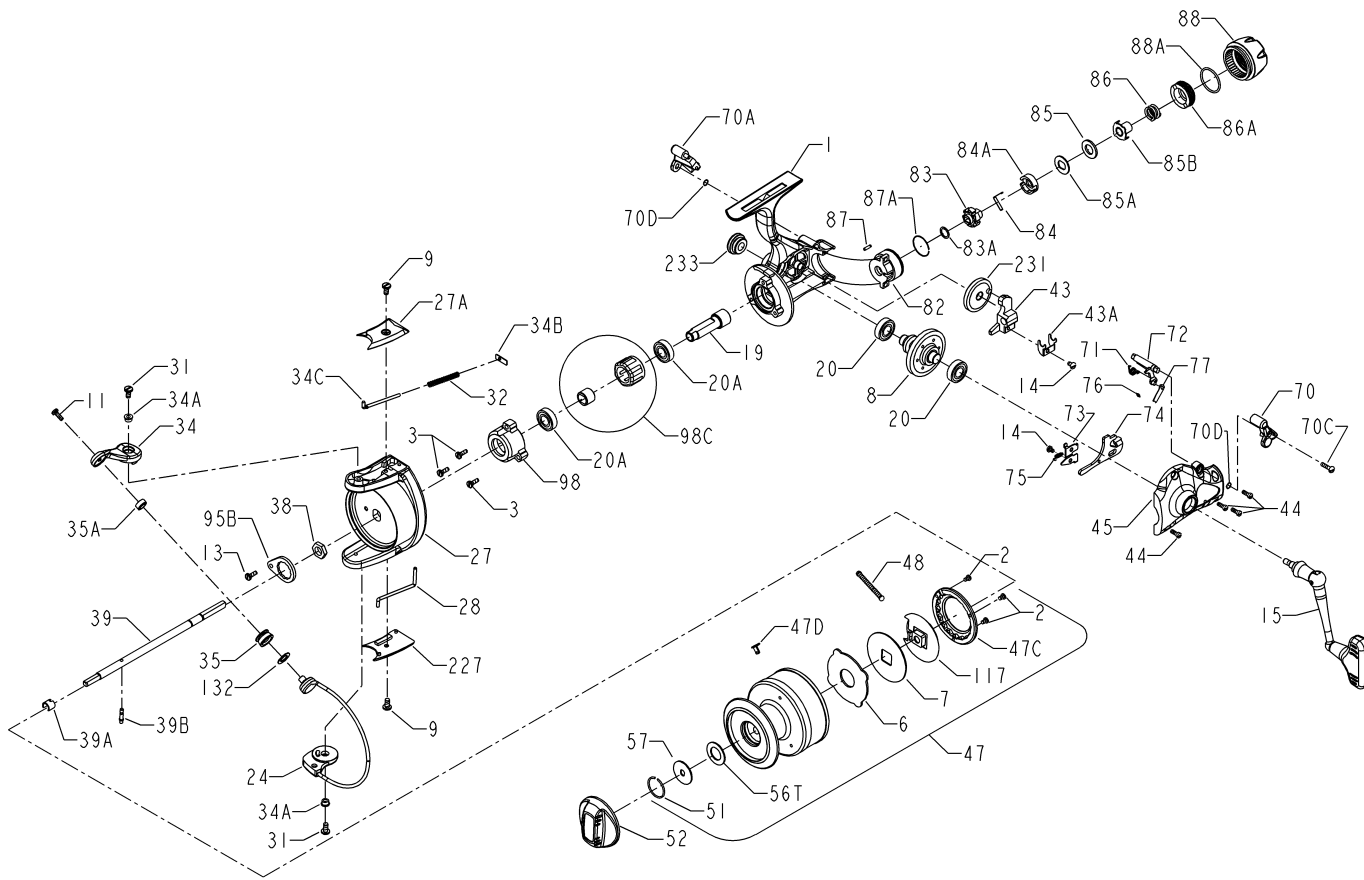


PENN PARTS LIST FOR MODELS 460L AND 560L



<u>KEY NO.</u>	<u>DESCRIPTION</u>	<u>PART NO.</u>
24	Bail Wire Assembly	024 4600
	Bail Wire Assembly	024 5600
27	Rotor Cup	027 4600
	Rotor Cup	027 5600
27A	Bail Pivot Cover	027A5600
28	Trip Lever	028 5600
31	Screw (2 req.)	036 750
32	Bail Spring	032 5600
34	Bail Arm	034 5600
34A	Rotor Bushing (2 req.)	034A5600
34B	Pivot Plate	034B5600
34C	Pivot Arm	034C5600
35	Line Roller	035 5600
35A	Ball Bearing	035A706
38	Rotor Nut	038 5600
39	Spool Shaft	039 5600
39A	Locating Pin Clip	039A5600
39B	Locating Pin	039B5600
43	Crosswind Block	043N5600
43A	Spool Shaft Clip	043A5600
44	Screw (4 req.)	039 004CH
45	Housing Cover Assembly W/ Emblem	045 4600
	Housing Cover Assembly W/ Emblem	045 5600
47	Spool Assembly	047 460
	Spool Assembly	047 560
47C	Drag Cover	047C5600
47D	Line Clip	047D5600
48	Click Tongue	048 5600
51	Retaining Ring	051 650
52	Drag Knob Assembly	052 560
56T	Drag Washer (Teflon)	056T650
57	Drag Washer (Keyed)	057 5600
70	Live Liner Eccentric Lever (Left)	070 5600
70A	Live Liner Eccentric Lever (Right)	070A5600
70C	Screw	070C5600
70D	Live Liner Eccentric O-Ring (2 req.)	070D760L
71	Live Liner Eccentric Spring	071 5600
72	Live Liner Eccentric	072 5600
73	Live Liner Plate	073 5600
74	Live Liner Dog	074 5600
75	Live Liner Dog Spring	075 5600
76	Trip Spring	076 5600
77	Trip Lever	077 5600
82	Rear Housing	082 5600
83	Rear Drag Ratchet	083 5600
83A	Rear Drag Ratchet Washer	083A5600
84	Rear Drag Click Spring	084 5600
84A	Rear Drag Click Retainer	084A5600
85	Rear Drag Washer	085 5600
85A	Rear Keyed Washer	085A5600
85B	Rear Eared Washer	085B5600
86	Rear Drag Spring	086 5600
86A	Rear Drag Nut	086A5600
87	Rear Click Pin	087 5600
87A	Rear Click Pin Ring	087A5600
88	Rear Drag Knob	088 560L
88A	Rear Drag Knob O-Ring	088A760L
95B	Rotor Locking Plate	095B070
98	Clutch Retainer	098 5600
98C	Clutch / Sleeve Assembly	098C5600
117	Drive Plate	117 5600
132	Line Roller Washer	132 5600
227	Bail Trip Cover	227 5600
231	Crosswind Gear	231N5600
233	Bearing Cover	233 560

<u>KEY NO.</u>	<u>DESCRIPTION</u>	<u>PART NO.</u>
1	Housing Assembly W/ Emblem	001 4600
	Housing Assembly W/ Emblem	001 5600
2	Screw (3 req.)	044 5600
3	Screw (3 req.)	044 710
6	Main Drag Washer HT-100	006 5600
7	Main Keyed Drag Washer	007 5600
8	Main Gear Assembly	008 5600
9	Screw (2 req.)	022 750
11	Screw	036 5600
13	Screw	063A2.5FR
14	Screw (2 req.)	044 4400
15	Handle Assembly	015 460
	Handle Assembly	015 560
19	Pinion	019 5600
20	Ball Bearing (2 req.)	020 722
20A	Ball Bearing (2 req.)	020 6500