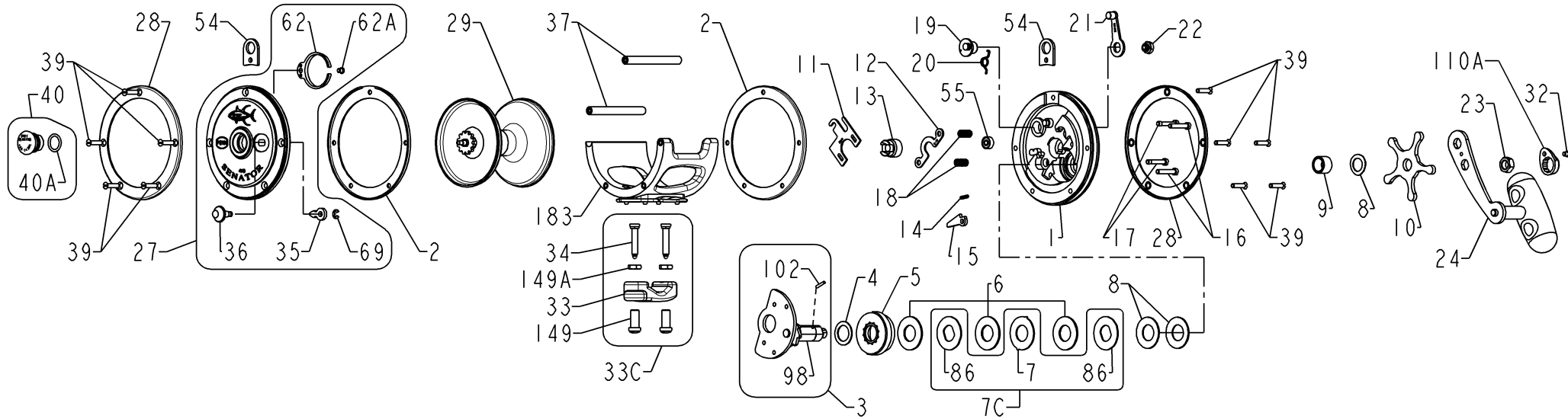


**PENN** PARTS LIST FOR MODEL 113L2



<u>KEY NO.</u>	<u>DESCRIPTION</u>
1	1-113L2 Right Side Plate
2	2-113H2I Inner Ring (2 req)
3	3-113L2 Bridge Assembly
4	4-60 Fiber Washer
5	5-66 Main Gear
6	6-113 Drag Washer (3 req)
7	7-60 Metal Ear Drag Washer
7C	7C-60 Metal Drag Washer Set
8	8-60 Spring Washer (3 req)
9	9-66 Spacing Sleeve
10	10-113L2 Star Drag Wheel
11	11-113 Eccentric Jack
12	12-113 Pinion Yoke
13	13-113 Pinion
14	14-99 Dog Spring
15	15-99 Dog
16	16-60CH Lower Bridge Screw (2 req)
17	17-60CH Upper Bridge Screw (2 req)
18	18-60 Yoke Spring (2 req)
19	19-113 Eccentric
20	20-155 Eccentric Spring
21	21-66 Eccentric Lever
22	22-112H2 Eccentric Screw
23	23-555 Handle Nut
24	24-113L2 Handle Assembly

<u>PART NO.</u>	<u>DESCRIPTION</u>
1197482	1-113L2 Right Side Plate
1197488	2-113H2I Inner Ring (2 req)
1197498	3-113L2 Bridge Assembly
1180755	4-60 Fiber Washer
1180828	5-66 Main Gear
1180908	6-113 Drag Washer (3 req)
1181007	7-60 Metal Ear Drag Washer
1181041	7C-60 Metal Drag Washer Set
1181056	8-60 Spring Washer (3 req)
1181148	9-66 Spacing Sleeve
1197511	10-113L2 Star Drag Wheel
1181233	11-113 Eccentric Jack
1181260	12-113 Pinion Yoke
1181316	13-113 Pinion
1181393	14-99 Dog Spring
1181427	15-99 Dog
1181565	16-60CH Lower Bridge Screw (2 req)
1181594	17-60CH Upper Bridge Screw (2 req)
1181615	18-60 Yoke Spring (2 req)
1181662	19-113 Eccentric
1181769	20-155 Eccentric Spring
1181835	21-66 Eccentric Lever
1197513	22-112H2 Eccentric Screw
1181950	23-555 Handle Nut
1197518	24-113L2 Handle Assembly

<u>KEY NO.</u>	<u>DESCRIPTION</u>
27	27-113L2 Left Side Plate Assembly
28	28-113H2 Outer Ring (2 req)
29	29-113H2 Spool
32	32-15 Handle Nut Cap Screw
33	33-113 Rod Clamp
33C	33C-112H2 Rod Clamp Kit
*	*33R-200 Ringed Rod Clamp (Opt.)
34	34-16VS Clamp Screw (2 req.)
35	35-60 Click Tongue
36	36-113 Click Button
37	37-113 Frame Post (2 req)
39	39-112H Side Plate Screw (10 req)
40	40N-113HL L.S. Bearing Cup Asm
40A	120-113H Bearing Cup O-Ring
54	54-113 Harness Lug (2 req)
55	55-113H R.S. Bearing
62	62-309 Click Spring
63	63-209 Click Spring Screw
69B	69B-600 Click Retaining Ring
86	86-60 Metal Keyed Drag Washer (2 req)
98	98-112H Gear Sleeve
102	102-60 Gear Sleeve Pin
110A	110A-555 Handle Nut Cap
149	149-45 Rod Clamp Nut (2 req)
149A	149-200 Hex Nut (2 req)
183	183-113L2 Frame Assembly

<u>PART NO.</u>	<u>DESCRIPTION</u>
1197522	27-113L2 Left Side Plate Assembly
1197527	28-113H2 Outer Ring (2 req)
1191514	29-113H2 Spool
1182708	32-15 Handle Nut Cap Screw
1182754	33-113 Rod Clamp
1197533	33C-112H2 Rod Clamp Kit
*1182738	*33R-200 Ringed Rod Clamp (Opt.)
1182786	34-16VS Clamp Screw (2 req.)
1182901	35-60 Click Tongue
1182989	36-113 Click Button
1183066	37-113 Frame Post (2 req)
1197540	39-112H Side Plate Screw (10 req)
1197542	40N-113HL L.S. Bearing Cup Asm
1184522	120-113H Bearing Cup O-Ring
1183856	54-113 Harness Lug (2 req)
1183880	55-113H R.S. Bearing
1184028	62-309 Click Spring
1184048	63-209 Click Spring Screw
1184129	69B-600 Click Retaining Ring
1184252	86-60 Metal Keyed Drag Washer (2 req)
1198890	98-112H Gear Sleeve
1184408	102-60 Gear Sleeve Pin
1184442	110A-555 Handle Nut Cap
1184702	149-45 Rod Clamp Nut (2 req)
1184706	149-200 Hex Nut (2 req)
1198900	183-113L2 Frame Assembly

\* Not Shown