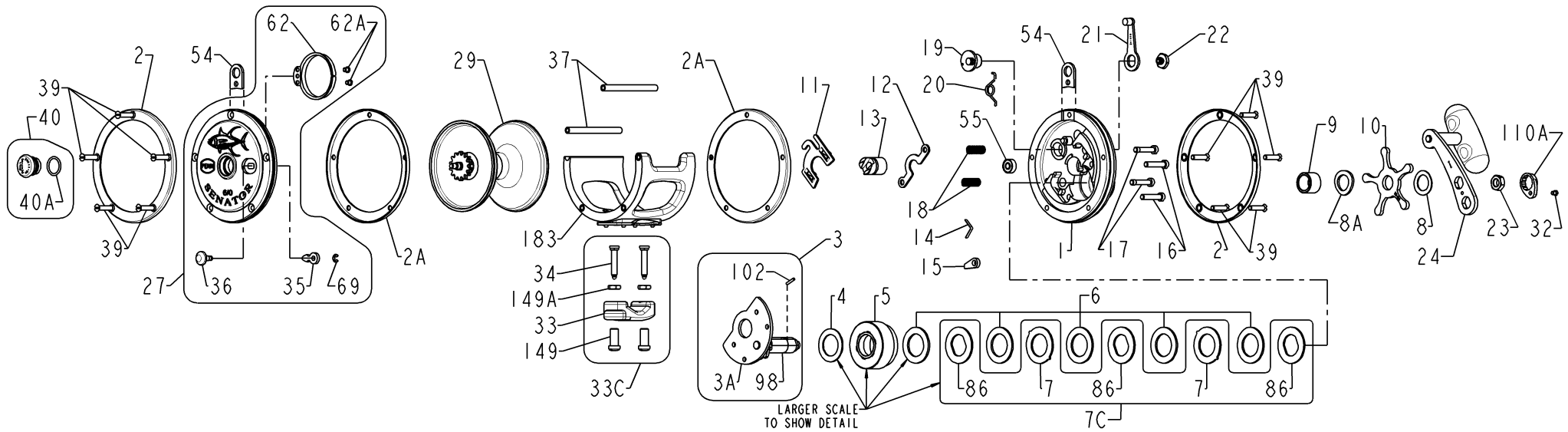


**PENN® PARTS LIST FOR MODEL 114L2**



<u>KEY NO.</u>	<u>PART NO.</u>	<u>DESCRIPTION</u>
1	1197484	1-114L2 Right Side Plate
2	1180665	2N-114 Outer Side Ring(2 req.)
2A	1197490	2-114H2i Inner Side Ring (2 req.)
3	1197501	3-114L2 Bridge Assembly
3A	1197502	3-114-1 Bridge Sub-Assembly
4	1180765	4-114 Fiber Washer
5	1180846	5-114 Main Gear
6	1180910	6-114 Drag Washer (5 req.)
7	1181010	7-114 Metal Ear Drag Washer (2 req.)
7C	1199897	7C-114L2 Drag Washer Set
8	1181067	8-114 Tension Spring
8A	1181068	8-115 Tension Spring
9	1197508	9-114L2 Spacing Sleeve
10	1181185	10-114 Star Drag Wheel
11	1181234	11-114 Eccentric Jack
12	1181262	12-114 Pinion Yoke
13	1181321	13-114 Pinion
14	1181395	14-114 Dog Spring
15	1181437	15-114 Dog
16	1181572	16-114 Lower Bridge Screw (2 req.)
17	1181596	17-114 Upper Bridge Screw (2 req.)
18	1181618	18-114 Clutch Spring (2 req.)
19	1181664	19-114 Eccentric
20	1181766	20-114 Eccentric Spring
21	1181845	21-114 Eccentric Lever
22	1197514	22-114H2 Eccentric Screw

<u>KEY NO.</u>	<u>PART NO.</u>	<u>DESCRIPTION</u>
23	1197515	23-114H2 Handle Nut
24	1197519	24-114H2 Handle Assembly
27	1197524	27-114L2 Left Side Plate
29	1191518	29-114H2 Spool
32	1182708	32-15 Handle Nut Cap Screw
33	1197532	33-114H2 Rod Clamp
33C	1197534	33C-114H2 Rod Clamp Kit
*	*1182783	*33R-114 Ringed Clamp (Opt)
34	1182786	34-16VS Clamp Screw (2 req.)
35	1182915	35-114 Click Tongue
36	1182991	36-114H Click Button
37	1191722	37M-114 Frame Post (2 req.)
39	1183184	39-12 Side Plate Screw (10 req.)
40	1191766	40-114H2 Left Side Bearing Asm
40A	1184523	120-114H Left Side Bearing O-Ring
54	1183857	54-114 Harness Lug (2 req.)
55	1183882	55-116 Right Side Bearing
62	1197546	62-114H2 Click Spring
62A	1182662	31-25FR Click Spring Screw (2 req.)
69	1184129	69B-600 Retaining Ring
86	1184254	86-114L Keyed Washer (3 req.)
98	1198891	98-114H2 Gear Sleeve
102	1192231	102-114 Gear Sleeve Pin
110A	1198893	110A-114H2 Handle Nut Cap
149	1184702	149-45 Clamp Nut (2 req.)
149A	1184706	149-200 Hex Nut (2 req.)
183	1198904	183-114L2 Frame Asm.

\*Not Shown