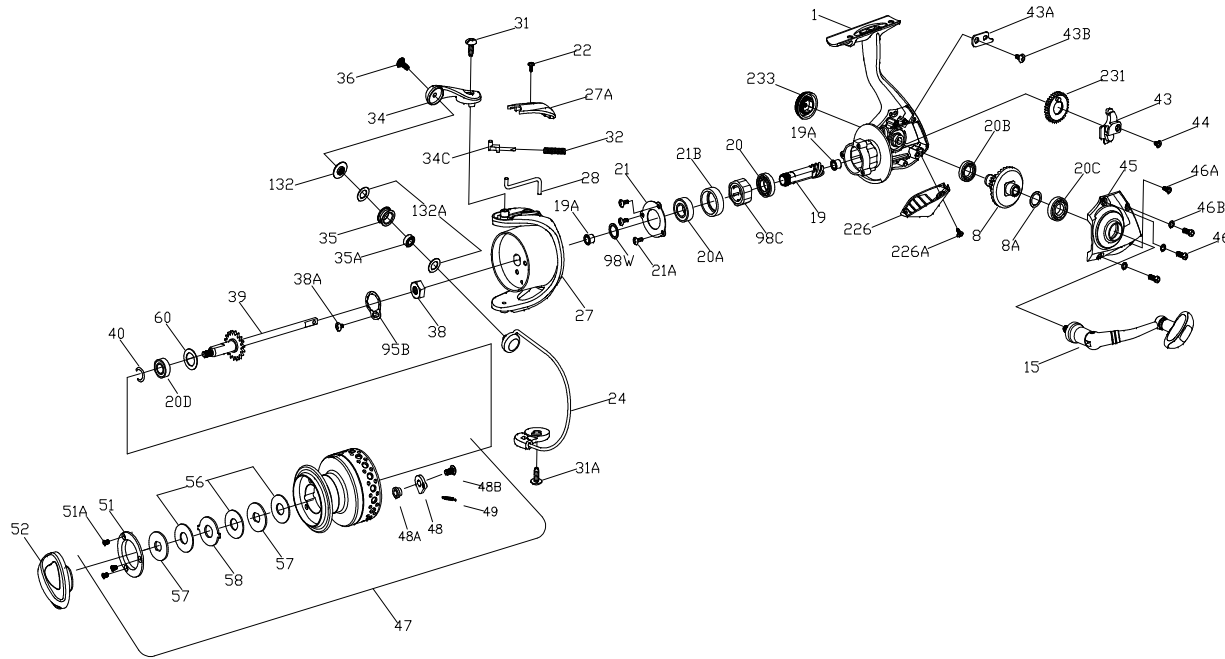




PARTS LIST FOR MODELS BTL3000/BTL4000



KEY NO.	PART NO.	DESCRIPTION
22	1192660	22-3000SG Bail Pivot Cover Screw
24	1211592	24-3000BTL Bail Wire Assembly
24	1211593	24-4000BTL Bail Wire Assembly
27	1211594	27-3000BTL Rotor (w/weight & screw)
27	1211595	27-4000BTL Rotor (w/weight & screw)
27A	1200519	27A-3000SG Bail Pivot Cover
27A	1191448	27A-4000SG Bail Pivot Cover
28	1191483	28-3000SG Trip Lever
28	1191484	28-4000SG Trip Lever
31	1191567	31-3000SG Bail Arm Screw
31A	1191574	31A-3000SG Bail Cam Screw
32	1191586	32-3000SG Bail Spring
34	1211596	34-3000BTL Bail Arm
34C	1191650	34C-3000SG Pivot Arm
35	1211572	35-3000BTL Line Roller
35A	1191682	35A-2000SG Line Roller Bearing
36	1211597	36-3000BTL Bail Stud Screw
38	1191728	38-3000SG Rotor Nut
38A	1191734	38A-3000SG Rotor Locking Plate Screw
39	1211598	39-3000BTL Spool Shaft Assembly
39	1211599	39-4000BTL Spool Shaft Assembly
40	1211600	40-3000BTL Bearing Lock Spring
43	1191800	43-3000SG Crosswind Block
43	1200531	43-4000SG Crosswind Block
43A	1191818	43A-3000SG Crosswind Block Plate
43B	1191826	43B-3000SG Crosswind Block Plate Screw
44	1191843	44-3000SG Crosswind Block Screw
45	1211601	45-3000BTL Housing Cover
46	1191901	46-3000SG Housing Cover Screw (3 req)
46A	1191906	46A-3000SG Housing Cover Screw A
46B	1191907	46B-3000SG Housing Cover Washer (3 req)
47	1211602	47-3000BTL Spool Assembly
47	1211603	47-4000BTL Spool Assembly
48	1211604	48-3000SG Click Tongue
48A	1214226	48A-3000SG Click Tongue Washer
48B	1214189	48B-3000SG Spool Click Screw
49	1211605	49-3000SG Click Tongue Spring
51	1204002	51-3000PUR Retaining Spacer
51A	1191986	51A-3000SG Retaining Screw (3 req)
52	1211606	52-3000BTL Drag Knob Assembly
56	1211607	56-3000BTL Drag Washer (3 req)
57	1192043	57-3000SG Keyed Washer (2 req)
58	1192052	58-3000SG Earred Washer
60	1192060	60-3000SG Thrust Washer
95B	1192185	95B-3000SG Rotor Locking Plate
98C	1192212	98C-3000SG Clutch/Sleeve Assembly
98W	1204004	98W-3000PUR Clutch Washer
132	1211582	132-3000BTL Roller Washer
132A	1192301	132A-2000SG Line Roller Washer
226	1192457	226-3000SG Rear Cover
226A	1192473	226A-3000SG Rear Cover Screw
231	1192498	231-3000SG Crosswind Gear
231	1200522	231-4000SG Crosswind Gear
233	1211608	233-3000BTL Bearing Cover Assembly

KEY NO.	PART NO.	DESCRIPTION
1	1211585	1-3000BTL Housing
1	1211586	1-4000BTL Housing
8	1191017	8-3000SG Main Gear
8A	1191028	8A-3000SG Shim
15	1211587	15-3000BTL Handle Assembly
19	1191231	19-3000SG Pinion
19A	1191252	19A-3000SG Pinion Bushing (2 req)
20	1192611	20-3000SG Lower Pinion Ball Bearing
20A	1192617	20A-3000SG Upper Pinion Ball Bearing
20B	1192619	20B-3000SG Housing Ball Bearing
20C	1192622	20C-3000SG Housing Cover Ball Bearing
20D	1211588	20D-3000BTL Spool Ball Bearing
21	1192631	21-3000SG Bearing Retainer
21A	1192644	21A-3000SG Bearing Retainer Screw (3 req)
21B	1192648	21B-3000SG Collar