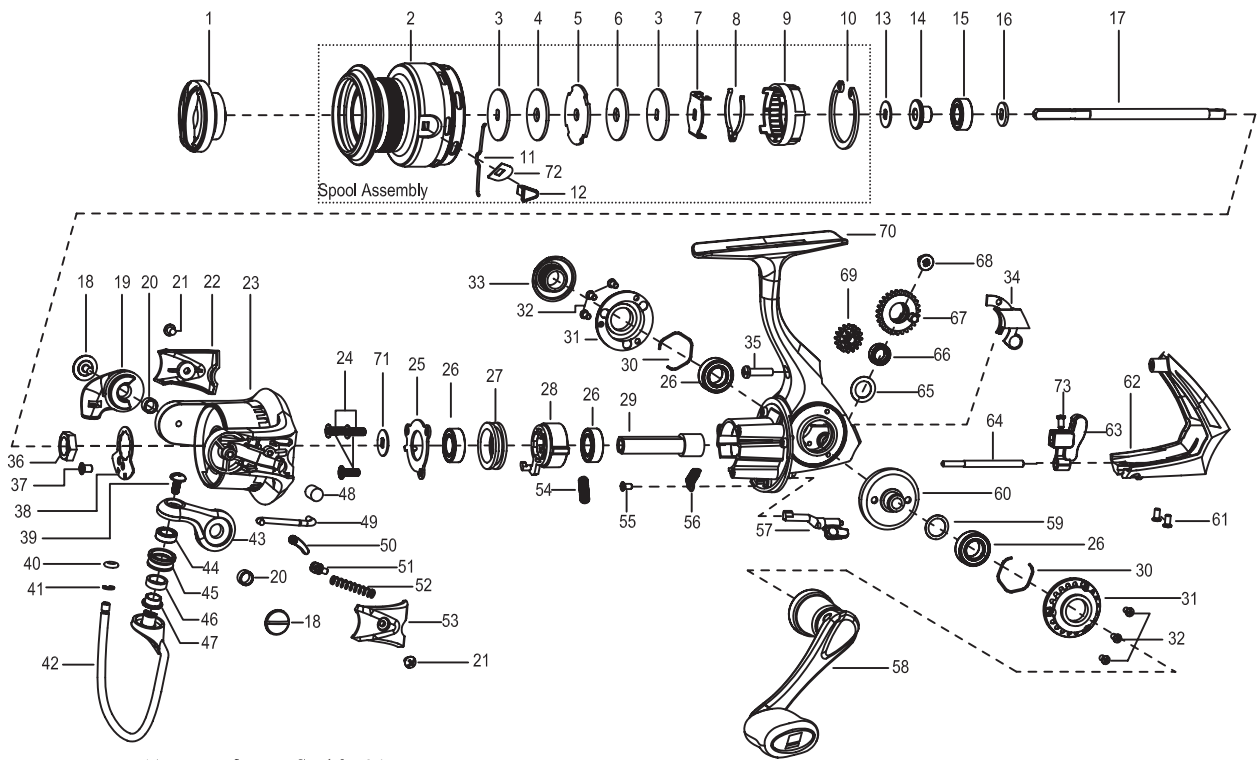




ORRA S 10



Abu-sp-Orra S-10-01



PARTS LIST OF ORRA S 10

ITEM#	DESCRIPTION	ORRA S10	ITEM#	DESCRIPTION	ORRA S10
1	Drag Knob Assembly	1256969	36	Rotor Nut	1085273
	Spool Assembly	1256970	37	Rotor Set Screw	1085900
	Spare Spool Assembly	1256971	38	Rotor Set Plate	1141436
2	Spool	1256972	39	Line Roller Screw	1126261
2	Spare Spool	1256973	40	O-ring	1252708
3	Keyed washer	1085296	41	E-clip	1252707
4	Felt Washer	1085298	42	Bail Assembly	1256977
5	Spool Washer	1256940	43	Bail Arm	1256978
6	Carbon Washer	1126305	44	Bearing 5X8X2.5	1112125
7	Clicker holder	1257317	45	Line Roller	1252705
8	Spool Clicker	1256941	46	Pom Bushing	1252756
9	Spool Bottom	1256942	47	Brass bushing	1252755
10	Retaining Clip	1256943	48	Balance Block	1256956
11	Line clip spring	1257318	49	Trip Bar	1256957
12	Line clip	1256944	50	Trip Linkage	1252713
13	Spool shim thick T=0.5	1178953	51	Trip Bushing	1126272
13	Spool shim thin T=0.3	1178954	52	Trip Spring	1119106
14	Mainshaft sleeve	1252698	53	Bail Arm Cover	1256958
15	Bushing	1252753	54	Clutch Spring	1252716
16	Mainshaft washer	1252700	55	Screw	1256959
17	Mainshaft	1256945	56	Clutch Switch Spring	1252761
18	Bail Arm Screw	1126379	57	Clutch Switch	1252721
19	Bail Holder	1256974	58	Handle Assembly	1256979
20	Bushing	1188261	59	Shim	1085287
21	Screw	1125962	60	Drive Gear	1256962
22	Bail Holder Cover	1256947	61	Screw	1085456
23	Rotor	1256975	62	Body Cover	1256980
24	Screw	1126326	63	Oscillation Slider	1256964
25	Pinion Cover	1256949	64	Oscillation Guide	1256965
26	Bearing 7X13X4	1252717	65	Washer	1253702
27	Bearing Holder	1252718	66	Bushing	1108938
28	Clutch Assembly	1256950	67	Oscillation Gear	1256966
29	Pinion	1256951	68	Screw	1252729
30	C-Clip	1252726	69	Reduction Gear	1256967
31	Body Trim	1256952	70	Gearbox	1256981
32	Screw	1252723	71	Rotor Washer	1114764
33	Dust Cap	1252738	72	Line Clip Washer	1259476
34	Oscillation Cover	1256976	73	Screw	1259454
35	Screw	1085342			